

## Vaya Flood LP, RGB

Vaya Flood LP is a reliable and cost effective color-changing light fixture for both interior and exterior use. Designed for creating fixed or dynamic colorful lighting effects, Vaya Flood LP RGB is ideal for flood, wash and accent lighting applications. Integrated power and DMX-512 control make this product easy to use with Philips or third-party DMX controllers.



### Key Features

- Die-cast aluminium housing & tempered glass
- IP66 rating for outdoor use
- Available with standard 20° or 40° beams
- Auto-ranging 100V to 240V 50 / 60Hz input
- DMX-512 control
- 3-Year Warranty

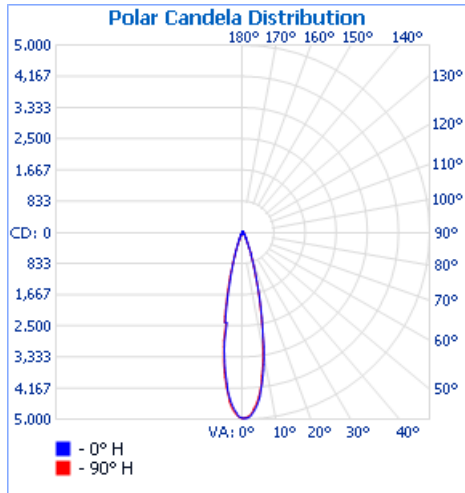
### Product Data

Height	223 mm (8.78in), including surface mount base
Width	236 mm (9.31in)
Depth	77.4 mm (3.05in), excluding mounting base
Mounting	Integrated tilting surface-mount base
Source	High-brightness Red, Green and Blue LEDs
Standard Beam Angles	20° or 40°
Output Luminous Flux	1,000 lumens all colors on full
Lumen Maintenance	50,000 hrs L <sub>50</sub> at 25°C
Housing	Die Cast Aluminum, powder-coated finish RAL7043
Weight	3.0 kg
Connector	3-conductor whip for power, 1.5m (5ft) long 2-pair twisted whip for data, 1.5m (5ft) long
Lens	Tempered glass
Control	DMX-512 control, 3 addresses per fixture
Input Voltage	100V to 240 VAC, 50 / 60Hz
Power Consumption	45W
Temperature Range	-20°C to 40°C (-4°F ~104°F) start-up temperature -40°C to 40°C (-40°F ~104°F) operating temperature
Protection Rating	IP66, Wet location listed, IK06
Certifications	UL / cUL, FCC Class A, CE, CB, CQC, PSE
Warranty	3 Years

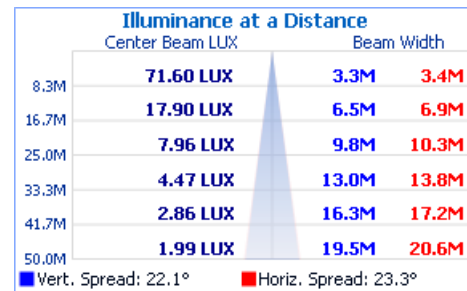
## Photometrics (Per IESNA LM-79):

### Vaya Flood LP RGB, 20deg

#### Polar Candela Distribution



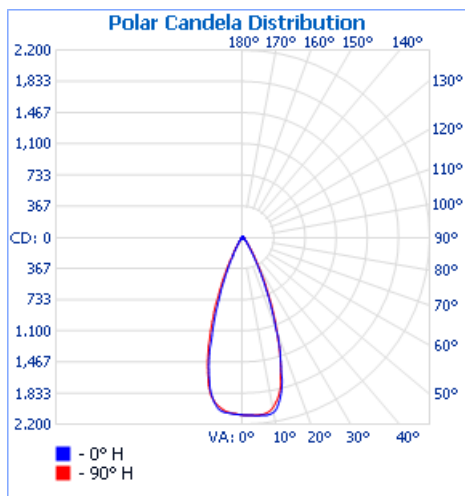
#### Illuminance at a Distance



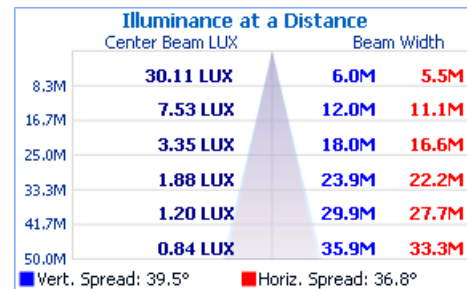
Im = 3.28ft

### Vaya Flood LP RGB, 40deg

#### Polar Candela Distribution

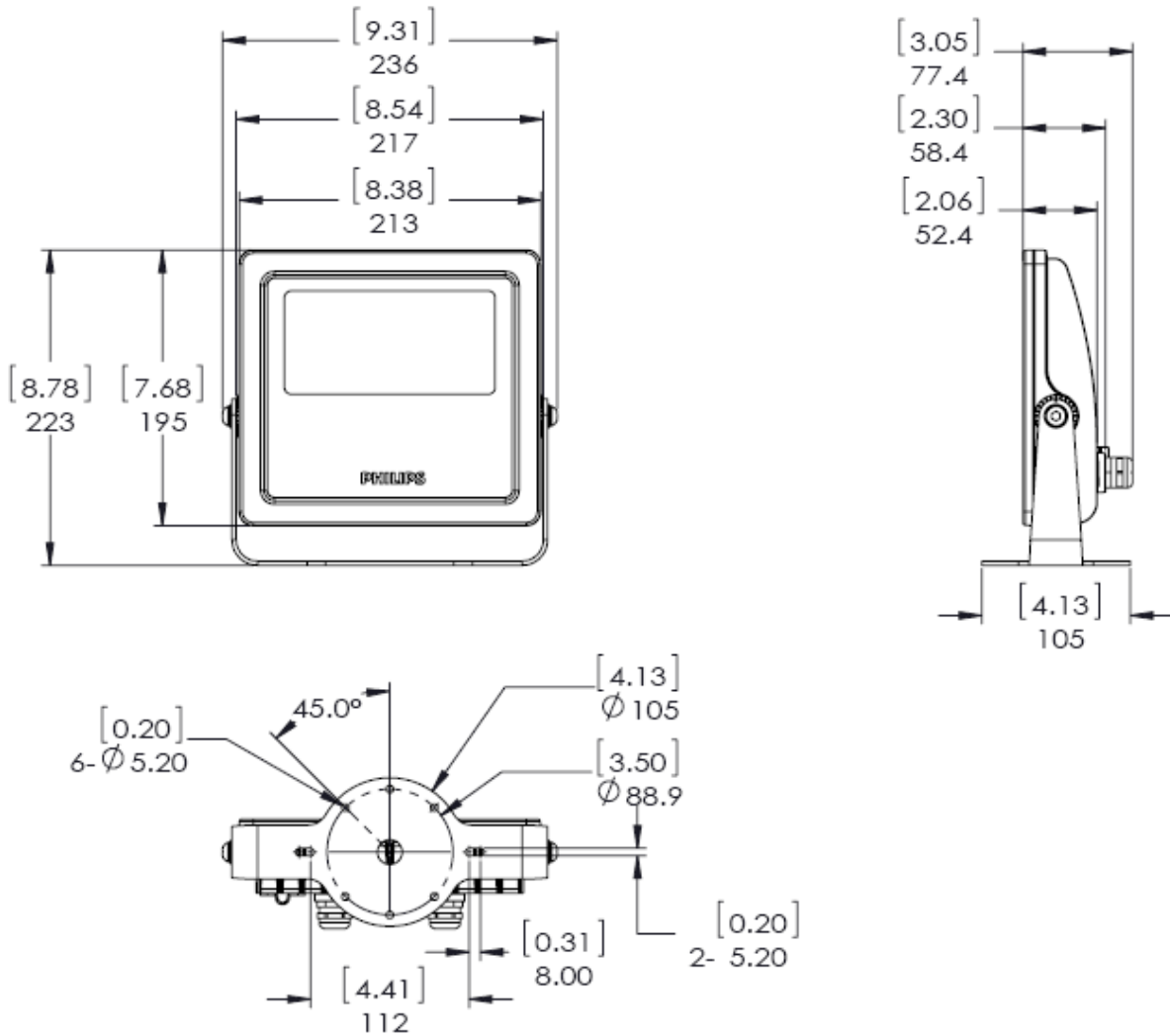


#### Illuminance at a Distance



Im = 3.28ft

**Dimensions:**



**Ordering Codes:**

Product	Philips 12NC	Item Number	Beam Angle	Certification
Vaya Flood LP RGB	910503702869	316-000007-01	20°	CE / CQC / PSE
Vaya Flood LP RGB	910503702870	316-000007-02	40°	CE / CQC / PSE
Vaya Flood LP RGB	910503702873	316-000007-05	20°	UL / cUL
Vaya Flood LP RGB	910503702874	316-000007-06	40°	UL / cUL

<sup>1</sup>Custom options include narrow (10°) versions

<b>Product</b>	<b>Philips I2NC</b>	<b>Item Number</b>	<b>Beam Angle</b>	<b>Certification</b>
Vaya Flood LP RGB	910503702868	316-000007-00	10°	CE / CQC / PSE
Vaya Flood LP RGB	910503702872	316-000007-04	10°	UL / cUL