

# LED UFO ROUND HIGH BAY LIGHTS

SEARCH CODE: SC7044



## FEATURES:

- **IP65 Driver:** Ensures protection against dust and water.
- **UV & IR-Free Beam:** No harmful ultraviolet or infrared emissions.
- **Energy Efficient & Long Lasting:** Offers up to 50,000 hours of operation.
- **Durable Housing:** Constructed with aluminum and equipped with an efficient heat sink.
- **Sleek Finish Options:** Available in black or white finishes (select models).
- **Advanced Optical Lens:** Made of polycarbonate for high light transmittance, featuring anti-UV and fire-resistant properties
- **Flexible Wattage & CCT Options:** Select models offer various wattage and color temperature settings.
- **Convenient Installation:** Includes a locking hanging hook and a 6-foot cord for easy setup.
- **Robust LED PCB Board:** Conductive, waterproof, and resistant to salt and mist exposure.
- **Dimmable:** Supports 0-10V dimming for versatile lighting control.

## WARRANTY & LISTINGS:

- 5-year warranty
- UL Listed
- ETL
- DLC
- Wet Rated

## ELECTRICAL:

- **Operating Temperature:** Functional between 0°F and 131°F
- **Low Total Harmonic Distortion:** THD is ≤ 20%, ensuring high power quality.
- **Operating Humidity:** Suitable for environments with 20% to 90% relative humidity.
- **Flexible Input Voltage:** Standard 120-277VAC 50/60Hz, with 277-480V available on select models.
- **Surge Protection:** Equipped with 6KV surge protection for enhanced reliability.

## ACCESSORIES:

- Motion sensor option available on select models.



PIR Sensor

## SPECIFICATIONS:

Product Code	Wattage	Replaces	Lumens	Color Temperature	Voltage	Finish
RHBUZDA150K	80W	175 MH	13,000 LM	5000K Daylight	110V-277V	Black
HB100W27V50K-W	100W	250W MH	14,400 LM	5000K Daylight	120V-277V	White
HB100W27V50K-1	100W	250W MH	15,000LM	5000K Daylight	120V-277V	Black
HB100W48V50K	100W	250W MH	14,500 LM	5000K Daylight	277V-480V	Black
HB155W12V50K	150W	400W MH	17,400 LM	5000K Daylight	120V Only	Black
HB150W27V50K-W	150W	400W MH	21,600 LM	5000K Daylight	120V-277V	White
HB150W48V50K	150W	400W MH	21,750 LM	5000K Daylight	277V-480V	Black
HB150W27V50K-BEST	150W	400W MH	21,000 LM	5000K Daylight	120V-277V	Black

# LED UFO ROUND HIGH BAY LIGHTS

**SEARCH CODE: SC7044**

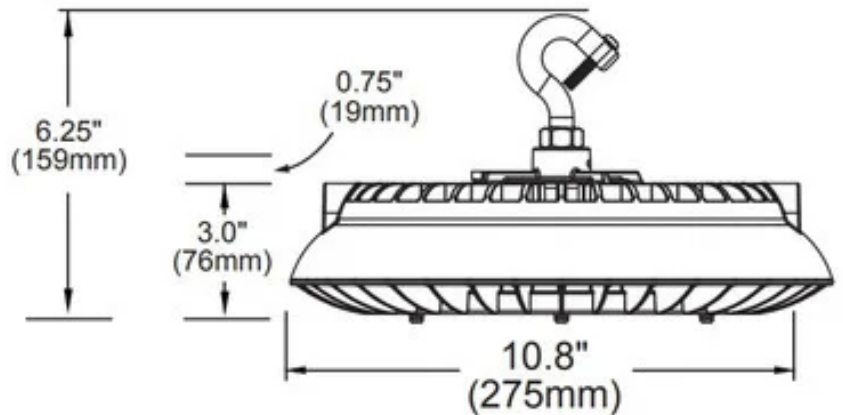


## SPECIFICATIONS:

Product Code	Wattage	Replaces	Lumens	Color Temperature	Voltage	Finish
HB200W27V50K-W	200W	600W MH	28,800 LM	5000K Daylight	120V-277V	White
HB200W48V50K	200W	600W MH	29,000 LM	5000K Daylight	277V-480V	Black
HB200W27V50K-TCP	200W	600W MH	27,000 LM	5000K Daylight	120V-277V	Black
HB240W27V50K-W	240W	750W MH	34,800 LM	5000K Daylight	120V-277V	White
HB240W48V50K	240W	750W MH	34,800 LM	5000K Daylight	277V-480V	Black
HB240W27V50K-1	240W	750W MH	34,800 LM	5000K Daylight	120V-277V	Black
HB350W27V50K	Watt Selectable 350/280/210/140	1000W MH	62,000 LM	5000K Daylight	120-277V	Black
HB350W48V50K	Watt Selectable 350/280/210/140	1000W MH	62,000 LM	5000K Daylight	347-480V	Black
HB410W27V50K	Watt Selectable 410/328/246/164	1250W MH	72,000 LM	5000K Daylight	120-277V	Black
HB410W48V50K	Watt Selectable 410/328/246/164	1250W MH	72,000 LM	5000K Daylight	347-480V	Black

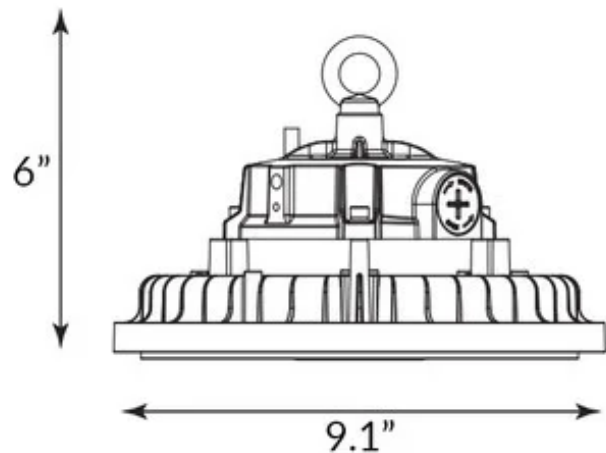
## DIMENSIONS:

**80W**



## DIMENSIONS:

**100W**

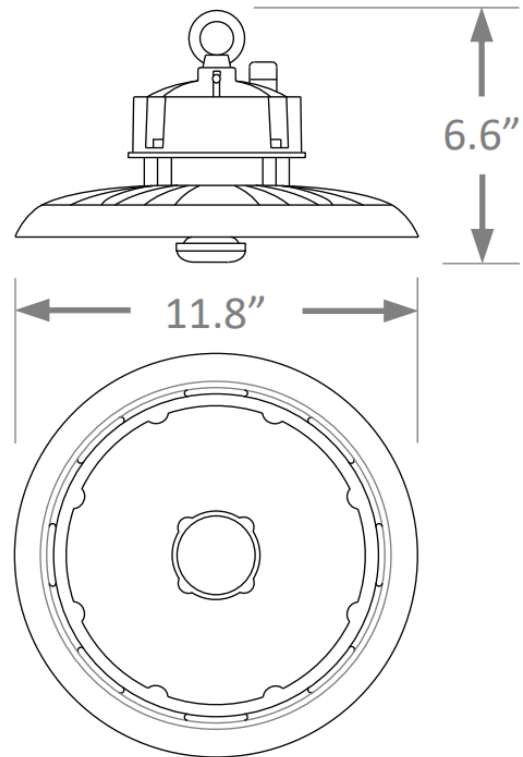


# LED UFO ROUND HIGH BAY LIGHTS

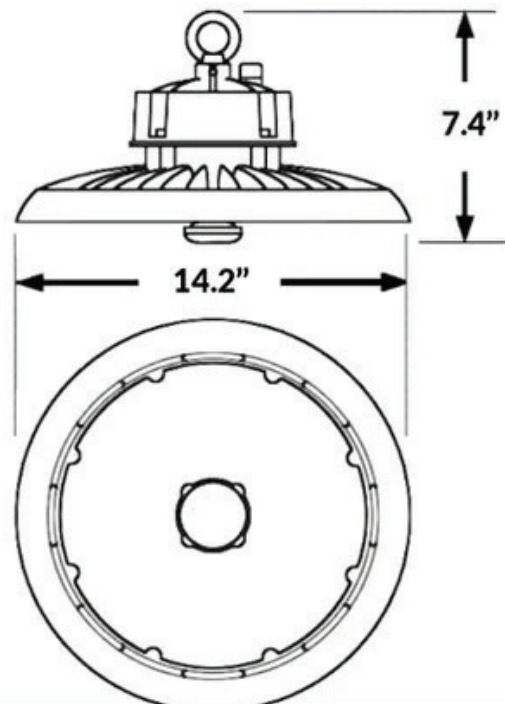
SEARCH CODE: SC7044



**DIMENSIONS:**  
150W | 200W



**DIMENSIONS:**  
240W

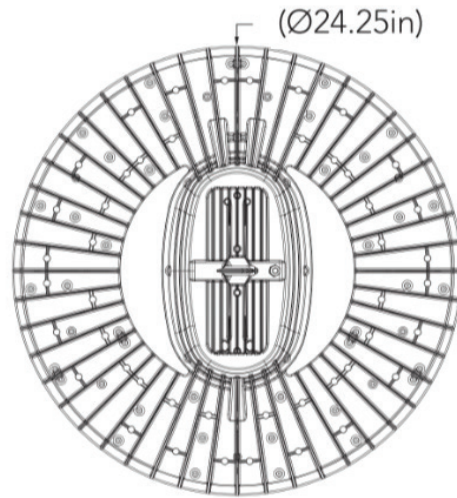
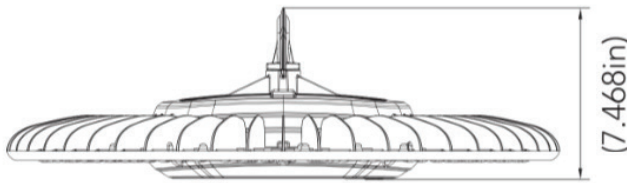


# LED UFO ROUND HIGH BAY LIGHTS

SEARCH CODE: SC7044

## DIMENSIONS:

Watt Selectable 350W/280W/210W/140W



## DIMENSIONS:

Watt Selectable 410W/328W/246W/164W

