

LED UFO HIGH BAY

SEARCH CODE: SC7044



FEATURES:

- IP65 Driver
- No UV or IR in beam
- Easy to install and operate
- Energy saving, Long lifespan of 50,000 hours
- Housing: Aluminum with heat sink
- Finish: Black or White finish on select models
- Optical Lens: Polycarbonate High Light Transmittance Lens, Anti-UV, Fire-Resistant
- Wattage and CCT option on select models
- Includes locking hanging hook; 6 foot cord
- 100W-150W Mounting Height: 15-20ft
- 200W-240W Mounting Height: 20-25ft
- 300W Mounting Height: 25-30ft

ACCESSORIES:

- Motion sensor option available on select models



PIR Sensor

WARRANTY & LISTINGS:

- 5-year warranty
- UL Listed
- ETL
- DLC
- Wet Rated

ELECTRICAL:

- Operating temperature: 0-131F
- Total Harmonic Distortion: ≤ 20%
- Operating humidity: 20%-90% RH
- LED PCB Board: Conductive, Waterproof, salt and mist Resistance
- Input voltage: 120-277VAC 50/60Hz standard – 277-480V on select models
- Beam angle: 120° for 150W, 200W, and 240W
- Beam angle: 90° for 300W and 240W
- 6KV Surge Protection
- 0-10V dimmable
- Technology: LED

SPECIFICATIONS:

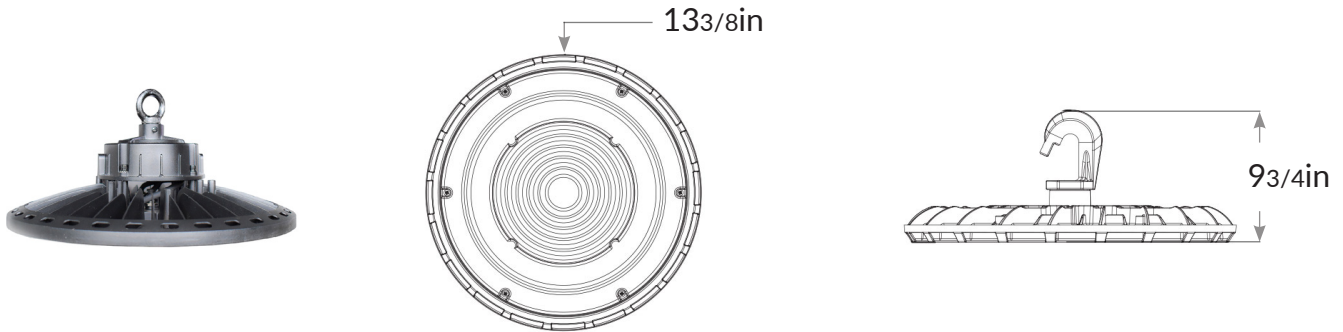
Product Code	Wattage	Replaces	Lumens	Color Temperature	Voltage	Finish
HB100W27V50K	100W	250W MH	14,400 LM	5000K Daylight	120V-277V	Black
HB100W27V50K-W	100W	250W MH	14,400 LM	5000K Daylight	120V-277V	White
HB100W48V50K	100W	250W MH	14,500 LM	5000K Daylight	277V-480V	Black
HB150W27V50K-BEST	150W	400W MH	21,000 LM	5000K Daylight	120V Only	Black
HB150W27V50K	150W	400W MH	21,600 LM	5000K Daylight	120V-277V	Black
HB150W27V50K-W	150W	600W MH	21,600 LM	5000K Daylight	120V-277V	White
HB150W48V50K	150W	600W MH	21,750 LM	5000K Daylight	277V-480V	Black
HB200W27V50K-W	200W	600W MH	28,800 LM	5000K Daylight	120V-277V	White
HB200W27V50K-TCP	200W	600W MH	27,000 LM	5000K Daylight	120V-277V	Black
HB240W27V50K	240W	750W MH	34,560 LM	5000K Daylight	277V-480V	Black
HB240W27V50K-W	240W	750W MH	34,800 LM	5000K Daylight	120V-277V	White
HB240W48V50K	240W	750W MH	34,800 LM	5000K Daylight	277V-480V	Black
HB150-300W27V50K-WG	300W	1000W MH	42,000 LM	5000K Daylight	120V-277V	Black

LED UFO HIGH BAY

SEARCH CODE: SC7044

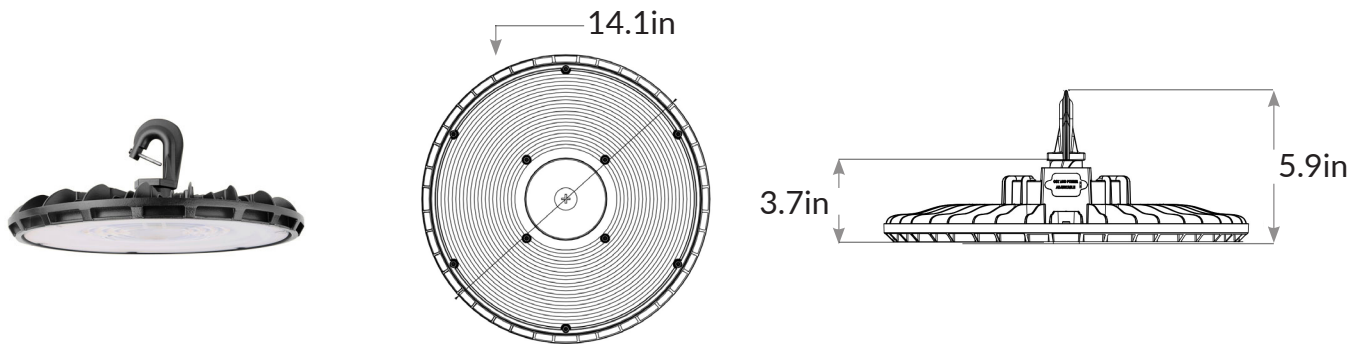
DIMENSIONS:

HB200W27V50K-TCP
200W



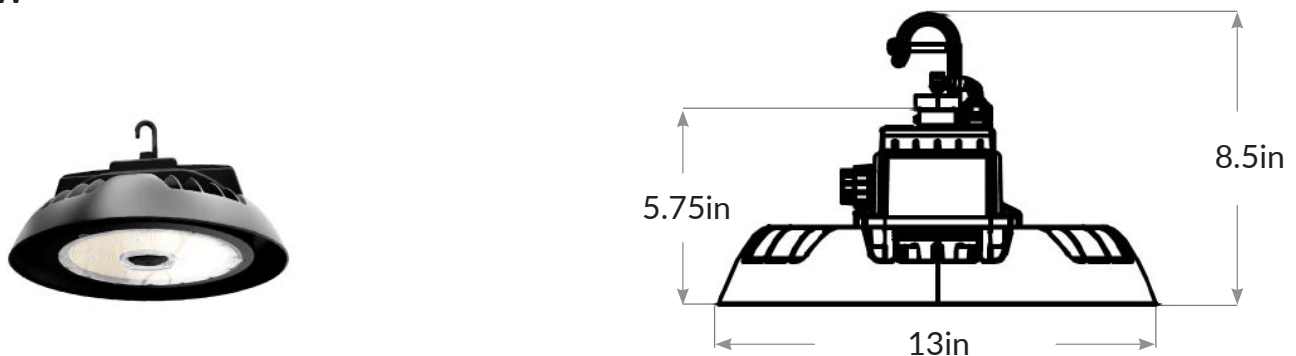
DIMENSIONS:

HB210W27VMCT
Wattage Selectable: 210W



DIMENSIONS:

HB150-300W27V50K-WG
300W

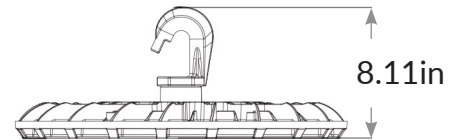
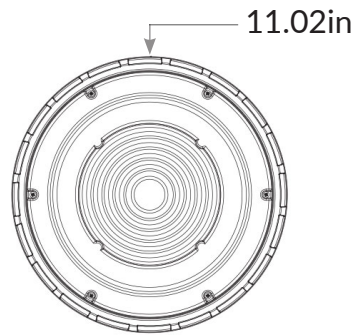


LED UFO HIGH BAY

SEARCH CODE: SC7044

DIMENSIONS:

White and Black Finish
100W and 150W



DIMENSIONS:

White and Black Finish
200W and 240W

