

LED SMALL WALL PACK

QUICK SEARCH: SC7040



FEATURES:

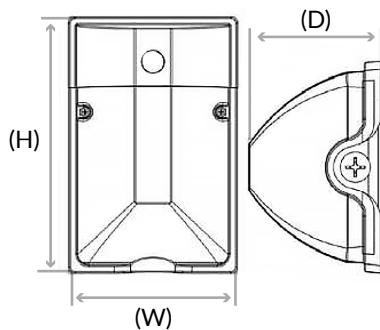
- Die-Cast aluminum housing
- Finish: Bronze
- Photocell
- Low Maintenance
- Replaces up to 100W pulse start metal halide
- Mounting: Wall mount

LIGHTING:

- Color Temperature: Available in Daylight
- Lens: Polycarbonate optical lens with UV stabilizers
- Shatter resistant Lens

DIMENSIONS:

8.38" (H) x 5.48" (W) x 3.52" (D)



WARRANTY & LISTINGS:

- 5-year warranty
- UL Listed
- DLC
- Wet Rated

MECHANICAL:

- Equivalency: 100 INC and 150INC
- Voltage: 120V-277V

APPLICATION:

- Security areas
- Commercial buildings
- Factory and Warehouses
- Building perimeters

SPECIFICATION:

Product Code	Wattage	Lumens	Color Temperature	Dimensions
WM17W27V50KDP2	17W = 100W	1700 Lumens	5000K Daylight	8.38" (H) x 5.48" (W) x 3.52" (D)
WM25W27V50KDP2	25W = 150W	2700 Lumens	5000K Daylight	8.38" (H) x 5.48" (W) x 3.52" (D)