

LED STADIUM LIGHTS

SEARCH CODE: SC12412

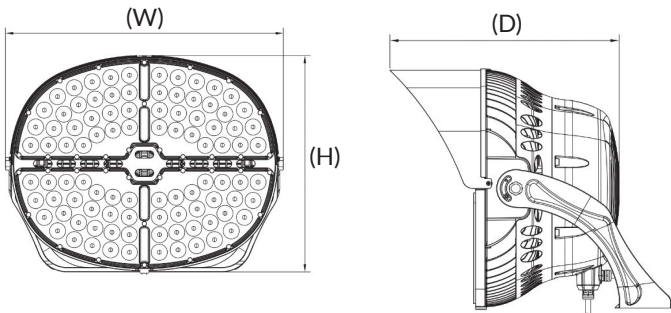


120/277V and 480V

FEATURES:

- Sealed die-casting profile for outdoor applications.
- Low profile, 3G vibration rated compact design minimizes wind load requirements
- IP65 waterproof rating
- Scalable Lumen Packages from 68,000 Lumens to 118000 Lumens
- Optics are precisely designed to shape the distribution, maximizing efficiency and application coverage
- Custom lighting layout assistance provided by our sales team available upon request

DIMENSIONS:



WARRANTY & LISTINGS:

- UL Listed
- cUL Listed
- Wet Location
- Lifespan 100,000 Hours

ELECTRICAL:

- Universal 120-277 VAC or 347-480 VAC input voltage
- Standard with 0-10V dimming driver
- Built in surge suppression with max.20KV @120-277V (Max.40KV @277-480V)
- THD: ≤20%
- Power Factor: ≥90%
- Ambient operating temperature 0°F to 131°F
- CRI 80

INCLUDED ACCESSORIES:

- Aiming Sight
- Top Visor



SPECIFICATIONS:

Product Code	Wattage	Size	Lumens	Color Temperature	Voltage	Mount
6604-500DW-TR-277V	510W	Small	68000LM	5000K Daylight	120/277V	Yoke Mount
6604-500DW-TR-480V	505W	Medium	70000LM		480V	
6604-600DW-TR-480V	600W	Medium	84000LM		480V	
6604-850DW-TR-480V	850W	Large	118000LM		480V	

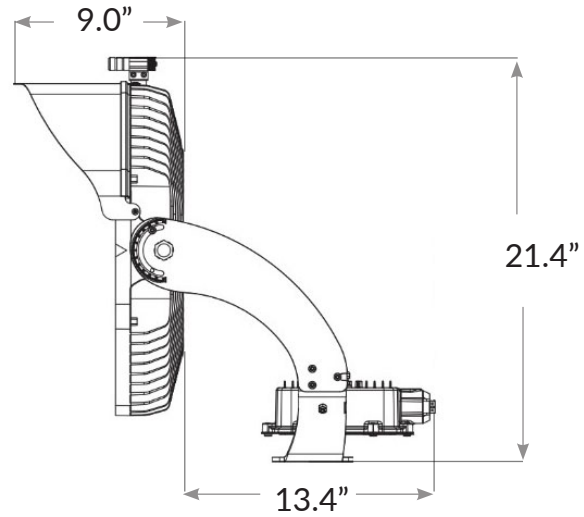
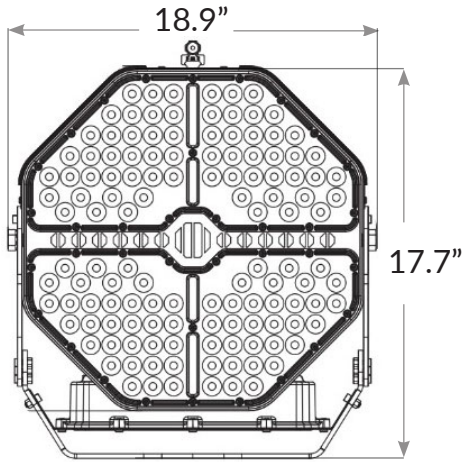
LED STADIUM LIGHTS

SEARCH CODE: SC12412



DIMENSIONS:

510W



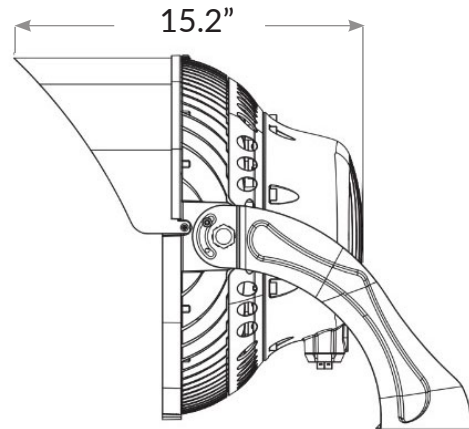
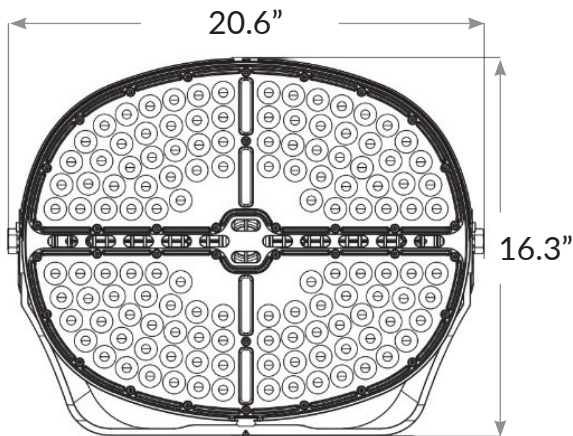
DIMENSIONS:

505W

Net Weight: 63.47 lb

600W

Net Weight: 40.99 lb



DIMENSIONS:

850W

Net Weight: 63.47

