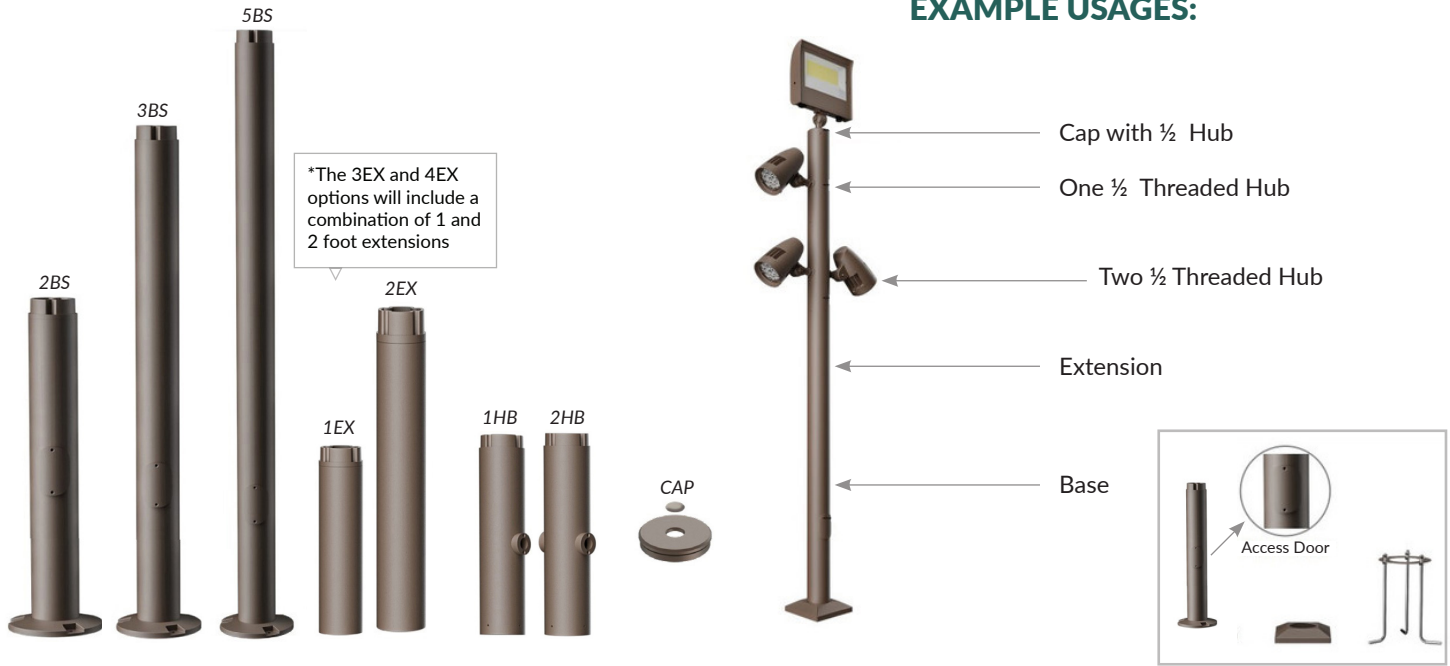


MODULAR POST SYSTEM

SEARCH CODE: SC33206



EXAMPLE USAGES:

FEATURES:

- Maximum build height 10FT
- Access door on the base of the mounts for maintenance
- Corrosion resistant aluminum housing with powder coat finish
- Operating temperature: 0F - 104F
- Base cover, mounting hardware, and solid top cap(with no hub) included with each base

WARRANTY & LISTINGS:

- 5-year warranty
- IP 65 wet location rated

APPLICATION:

- Pathways
- Landscapes
- Commercial Exteriors

SPECIFICATIONS:

Sample Part Number: MPS-5BS-2EX-2HB-C-K

Family		Base Size		Extension		Lamp Holder Section		Top Cap	
MPS	Modular Post System	2BS	2 Foot Base	1EX	1 Foot	1HB	1 Foot Single 1/2" Hub	C	Cap With 1/2" Hub
		3BS	3 Foot Base	2EX	2 Foot	2HB	1 Foot Double 1/2" Hub		Included Solid Cap
		5BS	5 Foot Base	3EX	3 Foot	Blank	None		
				4EX	4 Foot				
				Blank	None				

*More combinations can be made by special request. Call our commercial sales team for more info.

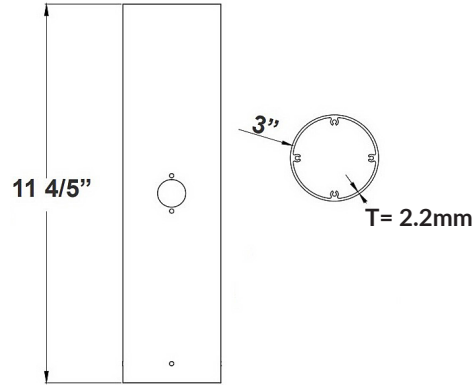
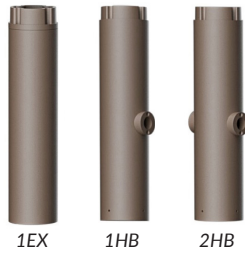
MODULAR POST SYSTEM

SEARCH CODE: SC33206



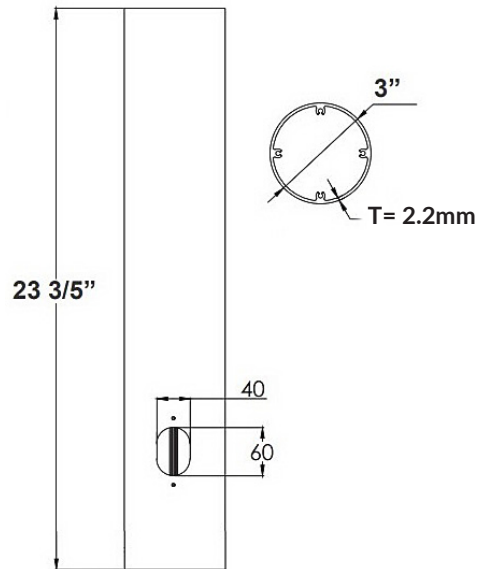
1 FOOT DIMENSIONS:

11 4/5" (H) x 3" (D)



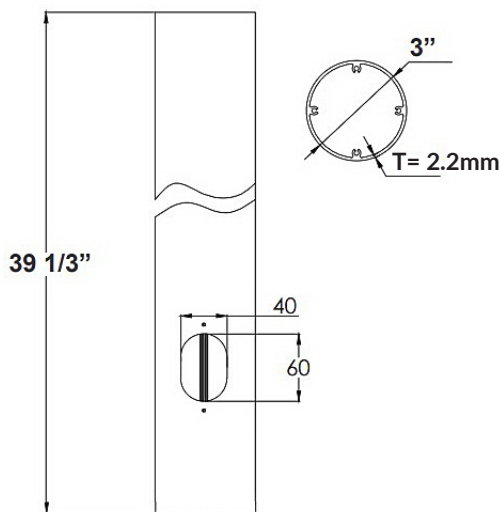
2 FOOT DIMENSIONS:

23 3/5" (H) x 3" (D)



3 FOOT DIMENSIONS:

39 1/3" (H) x 3" (D)



5 FOOT DIMENSIONS:

59" (H) x 3" (D)

