

# LED Tuscano Polycarbonate Wall Light



These lights are ideal for commercial and Residential applications and other outdoor space requiring reliable safety and security.

- Available in LED & Incandescent
- Fade & Rust Resistant Composite Construction
- Body: Black, White, or Bronze
- Optional Photocell
- UL Listed for Wet Locations
- Diffuser: Acrylic Clear, Glare, & Free Frost

Post Top



Wall Mount



## LED Bulkhead Lights-Ceiling or Wall Mount - Outdoor Wet Location UL Listed

Quick Search Code:



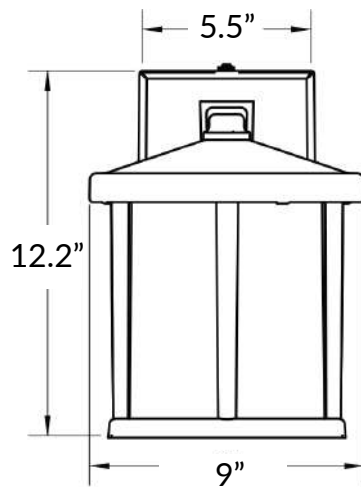
Product No	Description	Style	Finish
SL200-I60-BF	Incandescent Polycarbonate	Post Top	Black
SL200-I60-ZF	Incandescent Polycarbonate	Post Top	Bronze
SL145-I60-WF	Incandescent Polycarbonate	Post Top	White
SL100-I60-BF	Incandescent Polycarbonate	Wall Light	Black
SL100-I60-ZF	Incandescent Polycarbonate	Wall Light	Bronze
SL100-I60-WF	Incandescent Polycarbonate	Wall Light	White
SL200-LE800W-BF	13W <b>1140LM</b> 3000K Polycarbonate	Post Top	Black
SL200-LE800W-ZF	13W <b>1140LM</b> 3000K Polycarbonate	Post Top	Bronze
SL200-LE800W-WF	13W <b>1140LM</b> 3000K Polycarbonate	Post Top	White
SL100-LE800W-BF	13W <b>1140LM</b> 3000K Polycarbonate	Wall Light	Black
SL100-LE800W-ZF	13W <b>1140LM</b> 3000K Polycarbonate	Wall Light	Bronze
SL100-LE800W-WF	13W <b>1140LM</b> 3000K Polycarbonate	Wall Light	White

## Application



## Dimensions

Post Top



Wall Mount

