

LED LANDSCAPE BULLET FLOOD LIGHTS

QUICK SEARCH CODE: SC7269



FEATURES:

- LED: Philips LUMILEDs
- Optical Lens: High transmittance polycarbonate
- Anti-UV and fire resistant
- 60° beam angle
- Housing: Cast aluminum with powder coat finish (Bronze)
- Mounting: 1/2" Knuckle or Trunnion
- Choose between 3000k soft white and 5000K daylight



APPLICATION:

- Commercial buildings
- Small buildings
- Driveways
- Flag poles
- Tall palms
- Gardens
- Landscaping

MOUNTING:

Knuckle Mount



Trunnion Mount



WARRANTY & LISTINGS:

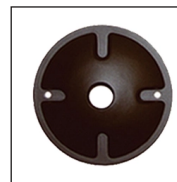
- 5-year warranty
- UL / CUL Listed
- Wet Location Rated
- DLC

ELECTRICAL:

- Voltage: 120~277VAC, 50/60Hz
- Operating Temp: -4°F to 104°F
- CRI: >80
- Power Factor: >0.9
- Lifespan: 50,000 hours

ACCESSORIES:

- Shroud
- Wall Mount
- Stake



SPECIFICATION:

| Wattage | Lumens | Equivalency | Color Temperature | Mount |
|---------|---------|-------------|------------------------------------|---------------------------------------|
| 15 Watt | 1,500LM | 100MH | 5000K Daylight 3000K Warm White | 1/2 Knuckle Mount Trunnion Bracket |
| 28 Watt | 2,800LM | 175MH | 5000K Daylight 3000K Warm White | 1/2 Knuckle Mount Trunnion Bracket |
| 42 Watt | 4,200LM | 250MH | 5000K Daylight 3000K Warm White | 1/2 Knuckle Mount Trunnion Bracket |

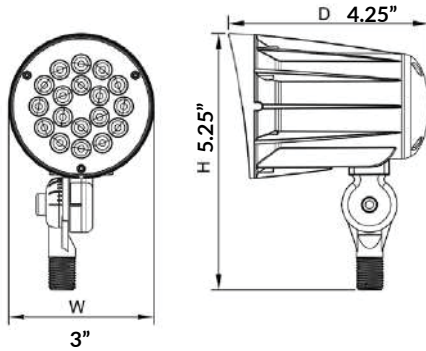
LED LANDSCAPE BULLET FLOOD LIGHTS

QUICK SEARCH CODE: SC7269

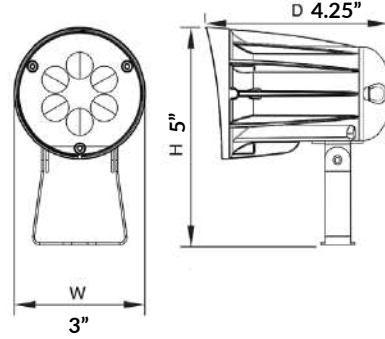


DIMENSIONS:

15W (Knuckle Mount)

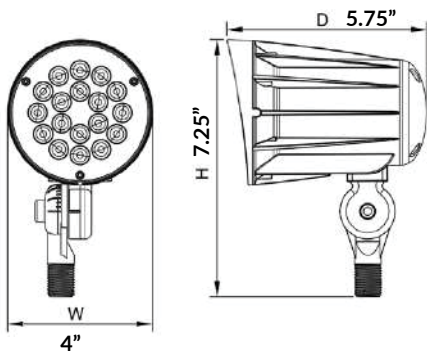


15W (Trunnion Mount)

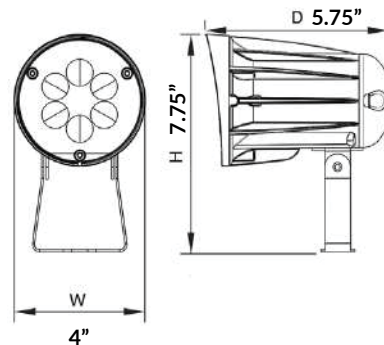


DIMENSIONS:

28W (Knuckle Mount)

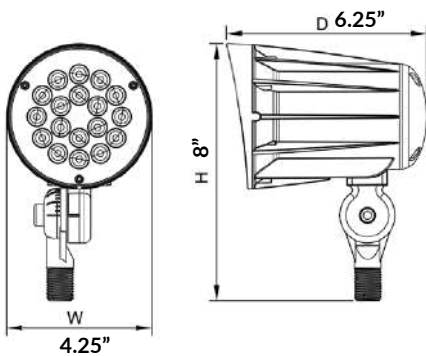


28W (Trunnion Mount)



DIMENSIONS:

42W (Knuckle Mount)



42W (Trunnion Mount)

