

LED ADJUSTABLE WORK LIGHT FIXTURE

SEARCH CODE: SC33138



Integrated LED

FEATURES:

- Super Bright Color Temperature : 6000K
- Turn and angle light easily by hand
- Built-in Switch To Control On-off
- Impact resistant and anti corrosion stainless steel cage
- Heavy duty design that has two arms
- Suitable for both Wet and Damp locations
- Compact Design Utilizes Aluminum Housing For Cooling System
- Two 3-prong 120V receptacles - one for the light, and a second for additional power necessities (50W only)



E26 (Bulb not included)

WARRANTY & LISTINGS:

- 5-year warranty
- UL / cUL Certified
- IP65 Waterproof
- 50,000 hours

ELECTRICAL:

- Operating Temp: 0°F to 114°F
- Voltage: 120V/60Hz
- Input: .85A/ Output: 36-66V DC
- LED Wattage: >0.95
- THD: <20%

APPLICATION:

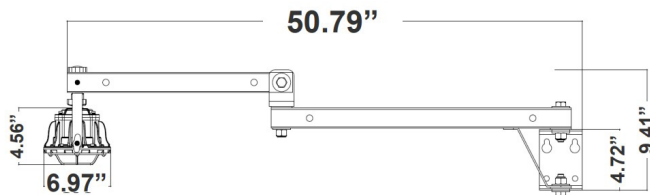
- Car Detailing Shop
- Garage
- Warehouse
- Logistics Center
- Commercial Buildings
- Manufacturing Facilities

SPECIFICATIONS:

Product Code	LED Bulb Type	Lumens
LDL-E26-R	E26 (Bulb Sold Separately)	
LDL-LED-30W-R-60K	30W	3300 LM
LDL-LED-50W-S-60K	50W	7000 LM
LDL-LED-60W-R-60K	60W	6600 LM

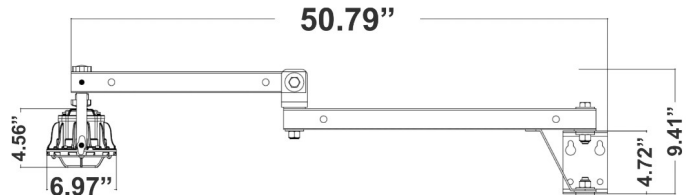
E26 DIMENSIONS:

(H) 9.41" x (W) 50.79" x (D) 6.97"



30W DIMENSIONS:

(H) 9.41" x (W) 50.79" x (D) 6.97"



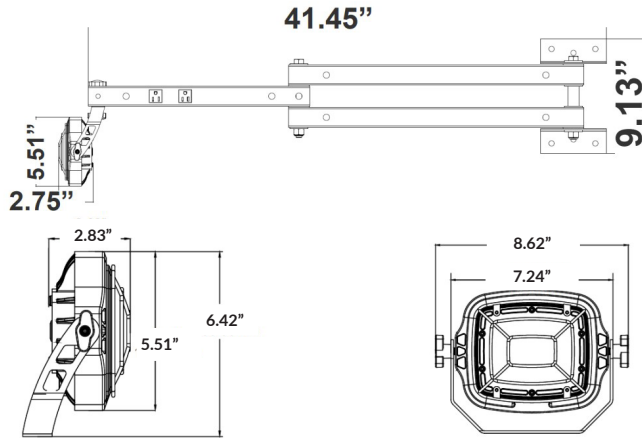
LED ADJUSTABLE WORK LIGHT FIXTURE

SEARCH CODE: SC33138



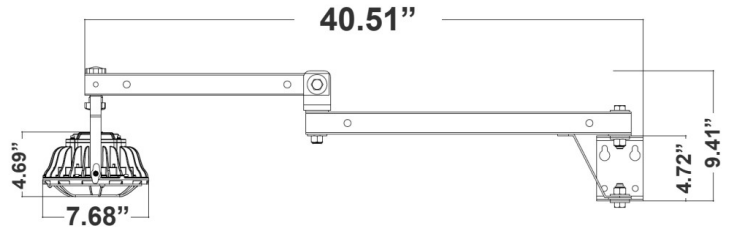
50W DIMENSIONS:

(H) 5.51" x (W) 41.45" x (D) 9.13"



60W DIMENSIONS:

(H) 9.41" x (W) 40.51" x (D) 7.68"



INFOGRAPHIC:

