

LED ARCHITECTURAL RECESSED LIGHTS

SEARCH CODE: SC22692



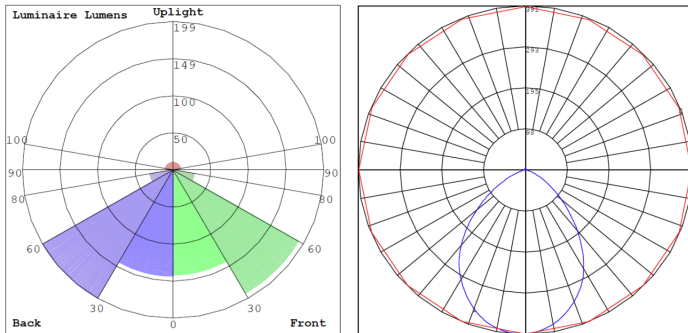
FEATURES:

- Multi color temperature selectable 27K/30K/35K/40K/50K
- 10W/20W/30W depending on number of slots installed
- Available in two lens options, clear glass and frosted

MECHANICAL:

- Die-Cast Aluminum With White Powder Coat Finish
- Junction Box Rated Up to 9 AWG18 Wires
- Air-Tight and Type IC Rated: No Housing Required

PHOTOMETRICS:



BUG Rating: B1-U2-G0

WARRANTY & LISTINGS:

- 5-year warranty
- Energy Star
- Damp Rated
- Dimmable
- Rated for 50,000 hours

ELECTRICAL:

- Voltage: 120VAC
- Power Factor: >0.90
- Efficacy: Up to 70 LM/W
- Multi CCT (Selectable Switch on the Back of the Driver)
- Dimming: Dimmable down to 10% using Standard TRIAC LED Dimmer
- Color Rendering index: >90
- Beam Angle: 30°

APPLICATION:

The LED Architectural Recessed Lights are versatile and used in both commercial and residential spaces like

- Restaurants
- Offices
- Kitchens
- Hotels
- Bathrooms

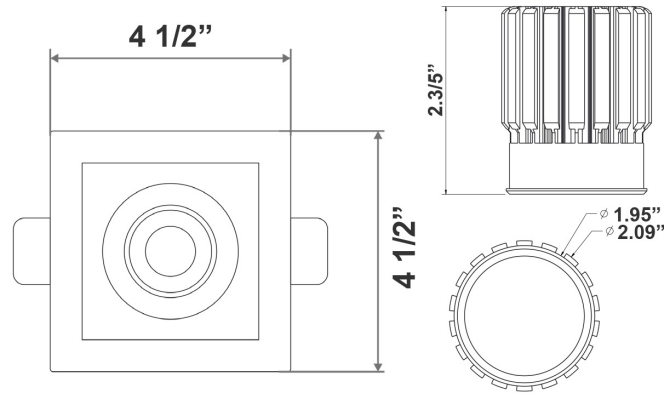
SPECIFICATIONS:

Product Code	Wattage	Lumens	Color Temperature	Lens
ARDL-10W-MCT5-WTM1-WH-CL	10W	700LM	Color Selectable 27K,30K,35K,40K,50K	Clear
ARDL-20W-MCT5-WTM2-WH-CL	20W	1400LM	Color Selectable 27K,30K,35K,40K,50K	Clear
ARDL-30W-MCT5-WTM3-WH-CL	30W	2100LM	Color Selectable 27K,30K,35K,40K,50K	Clear
ARDL-10W-MCT5-WTM1-WH-FR	10W	700LM	Color Selectable 27K,30K,35K,40K,50K	Frosted
ARDL-20W-MCT5-WTM2-WH-FR	20W	1400LM	Color Selectable 27K,30K,35K,40K,50K	Frosted
ARDL-30W-MCT5-WTM3-WH-FR	30W	2100LM	Color Selectable 27K,30K,35K,40K,50K	Frosted

LED ARCHITECTURAL RECESSED LIGHTS

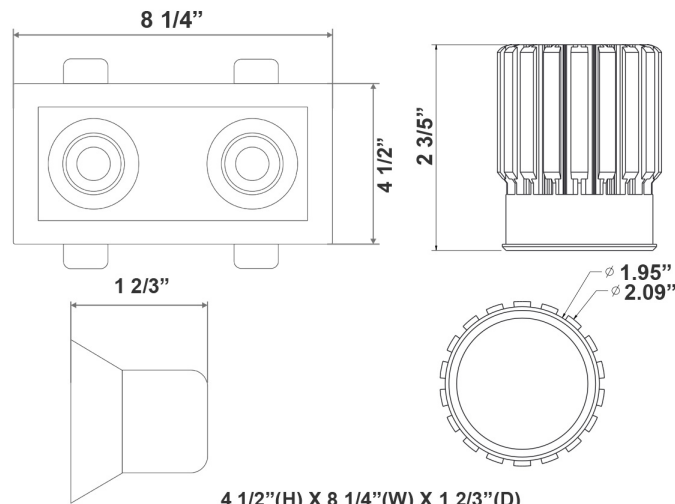
SEARCH CODE: SC22692

DIMENSIONS:



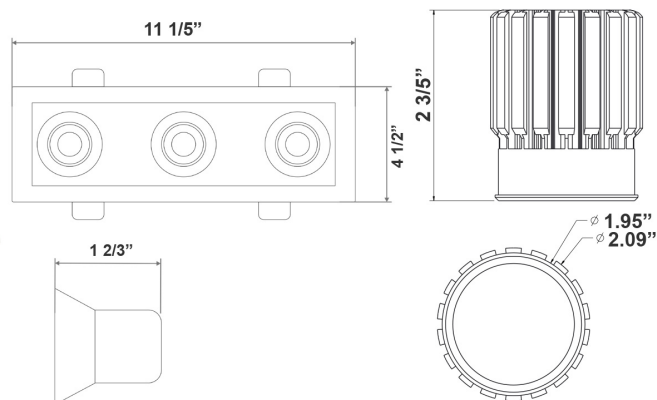
4 1/2"(H) X 4 1/2"(W)
Box Dimensions:
5-1/4" x 1-5/8" x 1-1/8"
Junction Area Dimensions:
2-1/16" x 1-5/8" x 1-1/8"

DIMENSIONS:



4 1/2"(H) X 8 1/4"(W) X 1 2/3"(D)
Box Dimensions:
5-1/4" x 1-5/8" x 1-1/8"
Junction Area Dimensions:
2-1/16" x 1-5/8" x 1-1/8"

DIMENSIONS:



4 1/2"(H) X 11 1/5"(W) X 1 2/3"(D)
Box Dimensions:
5-1/4" x 1-5/8" x 1-1/8"
Junction Area Dimensions:
2-1/16" x 1-5/8" x 1-1/8"